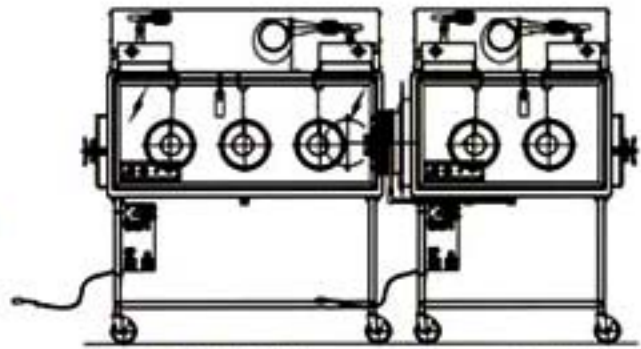
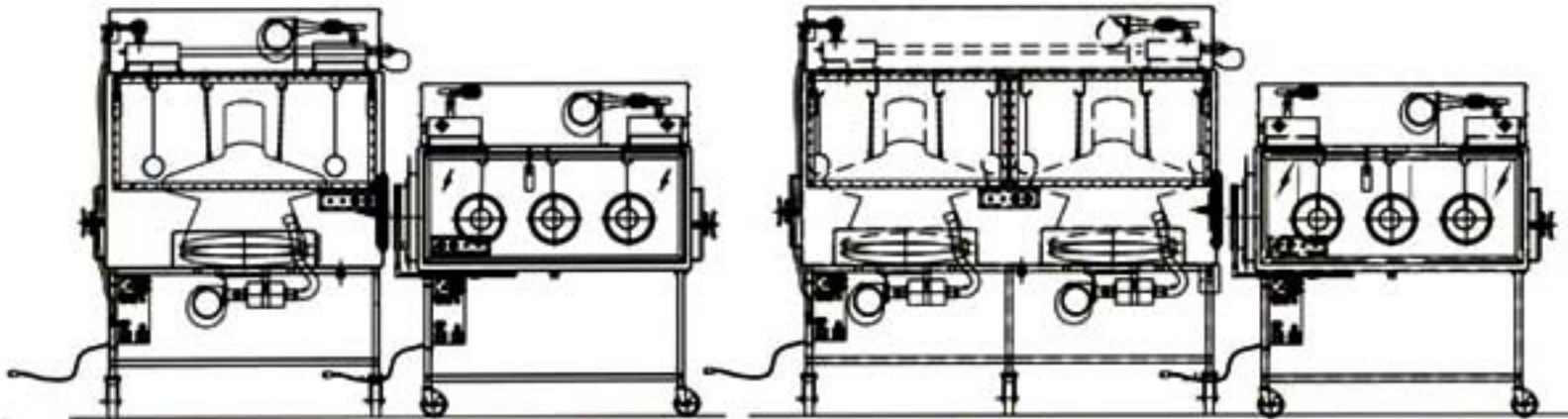


# Typical Sterility Testing Isolator Configurations



Testing isolator  
with three gloves

Transport isolator  
with two gloves

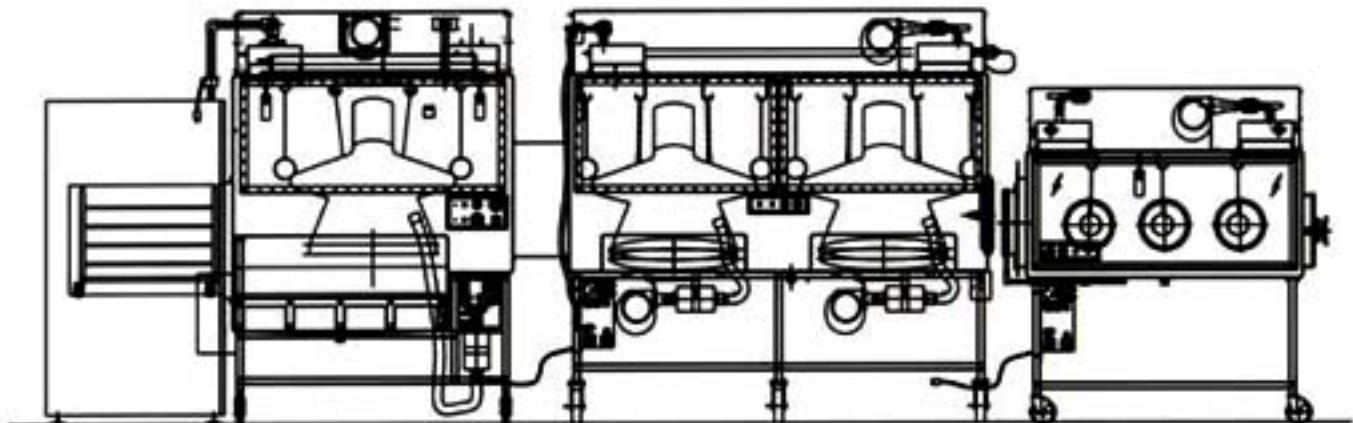


Testing isolator  
with half-suit

Transport isolator  
with three gloves

Testing isolator  
with two half-suits

Transport isolator  
with three gloves



Autoclave interface  
isolator with half-suit

Testing isolator with  
two half suits

Transport isolator  
with three gloves

**CARLISLE** Barrier  
Systems

618 State Street, New Lisbon, WI 53950  
 TEL: 800-356-5734 • 608-562-3151  
 FAX: 608-562-5956  
 E-mail: [mkolba@walker.carlisle.com](mailto:mkolba@walker.carlisle.com)  
[www.barriersys.com](http://www.barriersys.com)